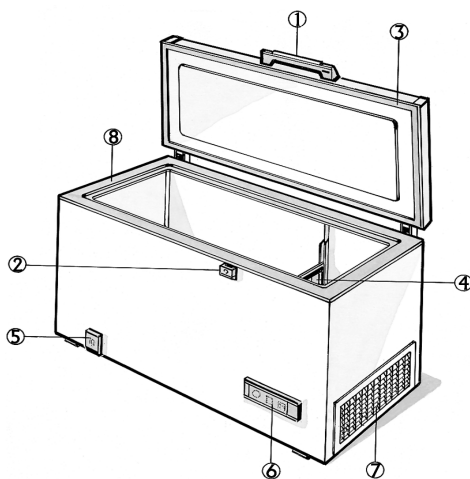


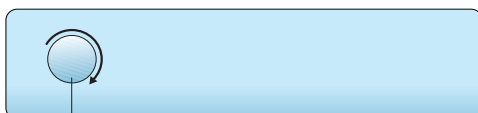
PRODUCT SHEET

GB



1. Lid handle.
2. Lock.
3. Seal.
4. Divider.
5. Defrost water drain plug.
6. Control panel.
7. Motor compartment ventilation grille.
8. Upper edge.

Controls



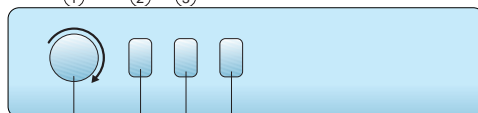
1



1

2

3



1

2

3

4

1. **Thermostat:** Temperature adjustment.
2. **Red LED:** Indicates that the freezer temperature is not sufficiently low.
3. **Green LED:** Illuminates when the appliance is on.
4. **Orange illuminated button:** Fast freeze function ON/OFF. The fast freeze function is active when the orange LED in the button is lit.

The exact configuration of the controls may vary according to the model.

Notes:

For correct operation of the appliance and to allow the lid to open freely without damage, leave at least 7 cm clearance at the sides and rear.

After installation, wait for at least two hours without moving the appliance before connecting it to the power supply; this will enable the refrigerant circuit to reach optimum efficiency.

If the freezer is left empty for short periods, it is preferable not to switch it off.

Frost formation on the upper edges and interior walls of the appliance is a natural phenomenon and will not affect the performance of the freezer.

GB

PRODUCT SHEET


Switching on the freezer for the first time

- It is advisable to set the thermostat to a middle position on the thermostat scale (factory set position).
- Plug in the appliance.
- The green LED will illuminate.
- The red LED will also switch on since the temperature inside the freezer is not yet sufficiently low for food storage. The red LED will normally switch off within the first six hours after the appliance is switched on.
- Only place food inside the freezer once the red LED has switched off.
- It will prove difficult to open the lid immediately after closing it because the hermetic seal means there is a partial vacuum inside the freezer. Wait a few minutes before re-opening the lid.

After connecting the appliance to the mains, when the right temperature has been reached (about an hour), ensure that the fast freeze function is inactive (yellow LED is off).

Freezer compartment temperature adjustment

To adjust the compartment temperature, proceed as follows:

- Turn the thermostat knob ① to position **1** to set the **highest (least cold)** storage temperature.
- Turn the thermostat knob ① to position **6** /  to set the **lowest (coldest)** storage temperature.
- When the freezer is only partially full, it is advisable to set the thermostat to lower positions (towards position "E", if indicated on the thermostat scale).

Energy saving tips

- Do not install the appliance in places exposed to direct sunlight or near heat sources, since this would lead to increased energy consumption.
- Do not obstruct the ventilation grille or the air circulation apertures.
- Remove accumulated dust from the rear of the appliance at least once a year.
- Use the thermostat to select the ideal storage temperature.
- Do not place hot food in the refrigerator.
- Restrict the number of times you open the lid.
- Make sure the ice layer does not build up to more than 5-6 mm thick.

Changing the lid light bulb

- Unplug the appliance.
- Remove the diffuser by following the sequence of steps shown in the figure.
- Unscrew the light bulb and replace it with an identical bulb of the same wattage and voltage.
- Refit the diffuser and plug in the appliance.

